



ROTAREX
FIRETEC



COMPLETE SYSTEMS FOR ELECTRICAL CABINETS

A COMPLETE DETECTION & SUPPRESSION SYSTEM PRE-ENGINEERED FOR ELECTRICAL CABINETS

- ★ Easy / Flexible installation
- ★ Quick & Effective suppression
- ★ Highly Dependable: no electricity or moving parts
- ★ Highly economical



EVERYTHING YOU NEED TOGETHER IN ONE BOX



REDUCES EVEN THE MOST CRITICAL ELECTRICAL FIRE RISKS:

- Combustion from short circuits, overloading or overheating
- Extensive damage to circuitry
- Work stoppage
- Extensive cleanup if sprinkler system discharges

THE FIREDETEC® DIFFERENCE

Rotarex FireDETEC® systems use a proprietary continuous linear sensor tube that reliably detects and actuates release of the extinguishing agent using pneumatic technology. It is more flexible, space efficient and cost effective versus alternative mechanical or electronic systems.



1. Quick & Easy installation directly inside electrical cabinets:

The flexible sensor tubing is easily installed inside the electrical cabinet - directly above the wires and circuitry where a fire could start.

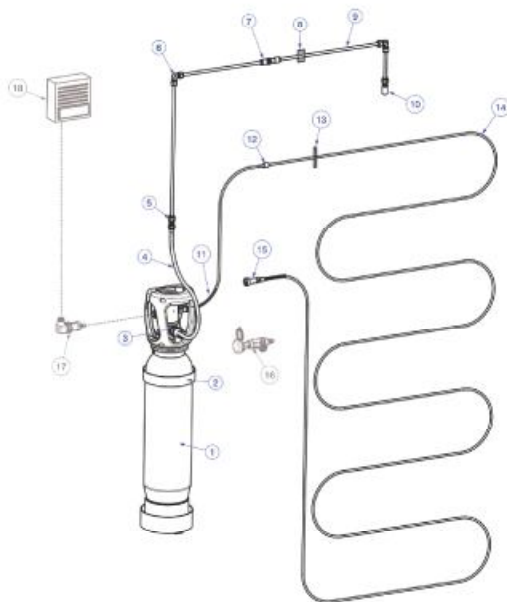
When in service, the tubing is pressurized with dry nitrogen to 16 bar. The dynamics of pressurization make the tubing more reactive to heat.

2. Early fire detection:

If a flame-up occurs, the heat of the fire causes the pressurized sensor tube to burst at the hottest spot (approx. 110°C)

3. Instant suppression:

The sudden tube depressurization actuates the special pressure differential valve and instantly floods the entire cabinet area with CO₂ extinguishing agent. The fire is quickly suppressed just moments after it began... minimizing damage and downtime.



| Pos. | Qty. | Description |
|------|------|--|
| 1 | 1 | IHP Cylinder / valve Assembly (not filled) |
| 2 | 1 | Cylinder bracket |
| 3 | 1 | Gasket |
| 4 | 1 | Rubber hose |
| 5 | 2 | Tube fitting - straight |
| 6 | 2 | Tube fitting - Elbow |
| 7 | 1 | Cross panel-fitting |
| 8 | 4 | Pipe bracket (Ø 8mm) |
| 9 | 2 | Stainless steel tubing (1m) |
| 10 | 1 | Nozzle |
| 11 | 1 | Protection Spring top |
| 12 | 1 | Cross panel-fitting |
| 13 | 20 | Binding ties |
| 14 | 1 | FireDETEC Tube red (10m) |
| 15 | 1 | End of line adapter |

OPTIONAL

| | | |
|----|---|-----------------------|
| 16 | 1 | Manual release device |
| 17 | 1 | Pressure switch |
| 18 | 1 | Alarm box |

SPECIFICATIONS

| Product code | CO ₂ | | CO ₂ with DIMES | |
|-------------------|-----------------|-------------|----------------------------|-------------|
| | B07504000 | B07504004 | B07505000 | B07505004 |
| Cylinder kit size | 5 Kgs. | 10 Kgs. | 5 Kgs. | 10 Kgs. |
| Cylinder volume | 6.7 liters | 13.4 liters | 6.7 liters | 13.4 liters |
| Cylinder approval | CE | CE | CE | CE |
| Weight | 11 Kgs. | 23 Kgs. | 11 Kgs. | 23 Kgs. |

WORLDWIDE HEADQUARTERS

24, rue de Diekirch, BP 19
L-7505 Lintgen
Luxembourg
Tel.: +352 32 78 32-1
Fax: +352 32 78 32-854
E-mail: info@firetec.rotarex.com

OTHER AVAILABLE PRE-ENGINEERED SYSTEMS:

CNC MACHINES



FUME CABINETS



COMMERCIAL KITCHENS



VEHICLE ENGINES

